



**SINCE 1998**



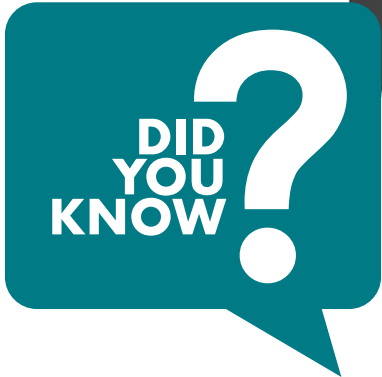
**2024/25**

**SMARTER  
LIGHTING  
CHOICES**



An expansive range of small, medium, and large exterior LED floodlights, with an extensive selection of power and sensor control options.





Before selecting a floodlight look out for the marks of Compliance and Safety. Starting with the RCM mark, this signals that the product has been tested to all relevant Australian Safety standards to ensure the product delivers its designed safety performance.

In addition, look out for limits in aiming orientation to ensure the floodlight operates within its design limits and the product is suitable for such an application.







## BRIGHTSTAR ECO SE7199 NDL2 - 15W/50W

IP65 LED multi-purpose floodlight range, IK06, 15-50 watt

### Application

A versatile solution for residential exterior spaces

### Design Specifications

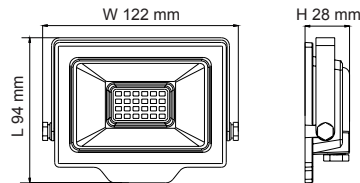
- Robust die-cast aluminium body
- Three (3) versatile body profiles ranging from 15 - 50 watts
- Durable black powder coated finish
- Tempered glass diffuser
- High efficiency LED optics, CRI 80, CCT 5000K
- Non-dimmable integral driver
- Beam distribution 110°
- Versatile angled bracket for easy installation
- Wired with 3 x core rubber flex for faster installation



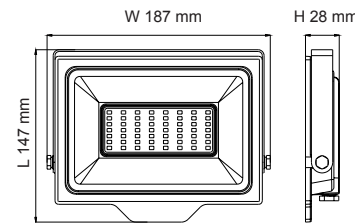
### Technical Specifications

Model No.	Input (V)/(Hz)	Power (W)	Lumen (lm)	CCT (K)	CRI	Beam Angle	Fitting Colour	Mass (Kg)
SE7199/15NDL2	240/50	15	1350	5000	> 80	110°	Black	0.22
SE7199/30NDL2	240/50	30	2700	5000	> 80	110°	Black	0.49
SE7199/50NDL2	240/50	50	4500	5000	> 80	110°	Black	0.70

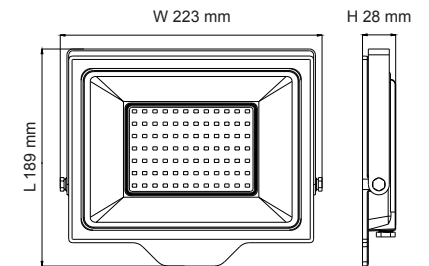
SE7199/15NDL2



SE7199/30NDL2

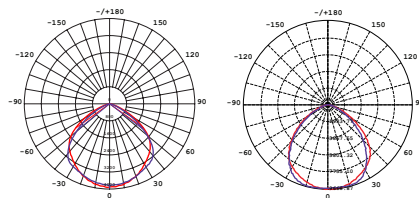


SE7199/50NDL2



### Photometric Data

Unit: cd C0/C180 — C90/C270 —  
SE7199/15NDL2 at 5000K SE7199/100NDL2 at 5000K



For terms of catalogue data use, refer to INDEX



# SAL LED FLOODLIGHTS. A CREATIVE AND UNOBTRUSIVE LIGHTING SOLUTION.





## STARGEM II SE7060 - 2 X 10W

2 x 10 watt wall mount LED floodlight, IP54

### Application

A versatile security solution for residential exterior spaces

### Design Specifications

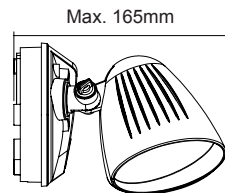
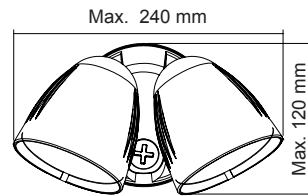
- Independently adjustable heads
- Robust polycarbonate base
- Opal polycarbonate diffuser, beam distribution 100°
- High efficiency LED optics
- Non-dimmable LED driver
- Double insulated

### Performance

- Non-dimmable



### Dimensions



### Technical Specifications

Model No.	Input (V)/(Hz)	Power (W)	Lumen (lm)	CCT (K)	CRI	Beam Angle	Sensor	Fitting Colour
SE7060NDL/BK	240/50	2 x 10	2 x 800	5000	> 80	100°	No	Black



## STARGEM II WITH SENSOR SES7060 - 2 X 10W

2 x 10 watt wall mount LED floodlight, IP54 with PIR sensor

### Application

A versatile security solution for residential exterior spaces

### Design Specifications

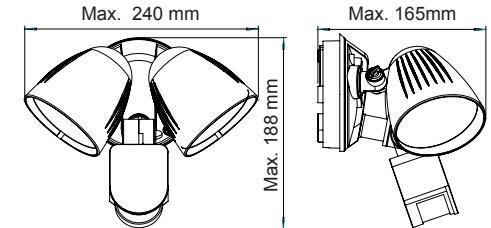
- Independently adjustable heads
- Robust polycarbonate base
- Opal polycarbonate diffuser, beam distribution 100°
- High efficiency LED optics, non-dimmable LED driver
- Integral infrared motion sensor with override function
- Installation height max 2.5m
- Double insulated

### Performance

- Non-dimmable
- Sensor Type - PIR



### Dimensions



### Technical Specifications

Model No.	Input (V)/(Hz)	Power (W)	Lumen (lm)	CCT (K)	CRI	Beam Angle	Sensor	Fitting Colour
SES7060NDL/BK	240/50	2 x 10	2 x 800	5000	> 80	100°	Yes	Black

### Sensor Specifications

Power Source	Power	Detection Range	Detection Angle	Detection Motion Speed	Working Temperature	Time Setting	Lux Threshold
240V 50Hz	0.45W (Idle 0.1W)	12m@2.5m height	180°	0.6~1.5 m/s	-10~40°C	10s~4min	10~2000 Lux

For terms of catalogue data use, refer to INDEX







TC SELECTABLE COLOUR

### STARGEM III SE7080/1TC - 15W

15 watt wall mounted LED floodlight with selectable CCT, IP65.

### STARGEM III SE7080/2TC - 2 X 15W

2 x 15 watt IP65 wall mounted LED floodlight with selectable CCT

#### Application

A stylish solution for residential exterior spaces

#### Design Specifications

- Robust adjustable, aluminium optical assembly
- Durable polycarbonate mounting base
- Opal polycarbonate diffuser, beam distribution 100° per head
- Selectable CCT 3000K/4000K/5700K
- High efficiency LED optics, integral non-dimmable LED driver



#### Technical Specifications

Model No.	Input (V)/(Hz)	Power (W)	Lumen (lm)	CCT (K)	CRI	Beam Angle	Fitting Colour
SE7080/1TC/BK	240/50	15	1200/1300/1250	3000/4000/5700	> 80	100°	Black
SE7080/2TC/BK	240/50	2 x 15	2 x 1200/1300/1250	3000/4000/5700	> 80	100°	Black
SE7080/1TC/WH	240/50	15	1200/1300/1250	3000/4000/5700	> 80	100°	White
SE7080/2TC/WH	240/50	2 x 15	2 x 1200/1300/1250	3000/4000/5700	> 80	100°	White

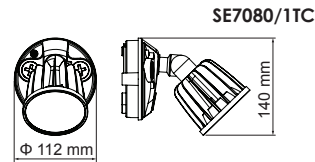


SE7080/1TC/WH

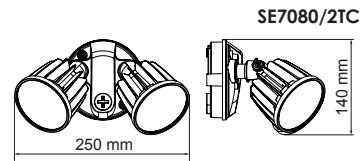


SE7080/2TC/BK

#### Dimensions



SE7080/1TC



SE7080/2TC



TC SELECTABLE COLOUR

### STARGEM III WITH SENSOR SES7080/1TC - 15W

15 watt wall mounted LED floodlight with selectable CCT, IP54 and PIR sensor

### STARGEM III WITH SENSOR SES7080/2TC - 2 X 15W

2 x 15 watt IP54 wall mounted LED floodlight with selectable CCT and PIR sensor

#### Application

A stylish solution for residential exterior spaces, great for security

#### Design Specifications

- Robust adjustable, aluminium optical head
- Durable polycarbonate mounting base
- Opal polycarbonate diffuser, beam distribution 100° per head
- Selectable CCT 3000K/4000K/5700K
- High efficiency LED optics, integral non-dimmable LED driver
- Integral PIR motion sensor, detection distance 12m at 2.5hm, detection angle 180°, manual over-ride function, time and light level adjustments see installation instructions



#### Technical Specifications

Model No.	Input (V)/(Hz)	Power (W)	Lumen (lm)	CCT (K)	CRI	Beam Angle	Fitting Colour
SES7080/1TC/BK	240/50	15	1200/1300/1250	3000/4000/5700	> 80	100°	Black
SES7080/2TC/BK	240/50	2 x 15	2 x 1200/1300/1250	3000/4000/5700	> 80	100°	Black
SES7080/1TC/WH	240/50	15	1200/1300/1250	3000/4000/5700	> 80	100°	White
SES7080/2TC/WH	240/50	2 x 15	2 x 1200/1300/1250	3000/4000/5700	> 80	100°	White

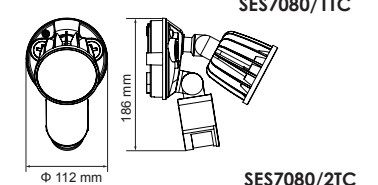


SES7080/1TC/WH

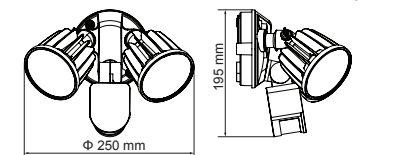


SES7080/2TC/BK

#### Dimensions



SES7080/1TC



SES7080/2TC

For terms of catalogue data use, refer to INDEX



sal.net.au

485





TC SELECTABLE COLOUR

## STARGEM IV SE7070/1TC - 12W

12 watt wall mounted LED floodlight with selectable CCT, IP54.

## STARGEM IV SE7070/2TC - 2 X 12W

2 x 12 watt IP65 wall mounted LED floodlight with selectable CCT

### Application

A stylish solution for residential exterior spaces

### Design Specifications

- Robust adjustable aluminium head profile
- Durable polycarbonate mounting base with quick connect termination
- Tempered glass lens, beam distribution 120° per head
- Selectable CCT 3000K / 4000K / 5700K
- High efficiency LED optics, Integral non-dimmable LED driver



### Technical Specifications

Model No.	Input (V)/(Hz)	Power (W)	Lumen (lm)	CCT (K)	CRI	Beam Angle	Fitting Colour
SE7070/1TC/BK	240/50	12	950/1150/1050	3000/4000/5700	> 80	120°	Black
SE7070/2TC/BK	240/50	2 x 12	2 x 950/1150/1050	3000/4000/5700	> 80	120°	Black
SE7070/1TC/WH	240/50	12	1100/1350/1250	3000/4000/5700	> 80	120°	White
SE7070/2TC/WH	240/50	2 x 12	2 x 1100/1350/1250	3000/4000/5700	> 80	120°	White

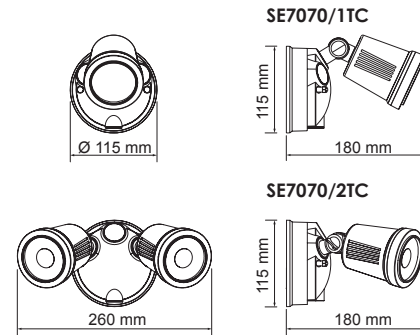


SE7070/1TC/WH



SE7070/2TC/BK

### Dimensions



TC SELECTABLE COLOUR

## STARGEM IV WITH SENSOR SES7070/1TC - 12W

12 watt wall mounted LED floodlight with selectable CCT, IP54 and PIR sensor

## STARGEM IV WITH SENSOR SES7070/2TC - 2 X 12W

2 x 12 watt IP54 wall mounted LED floodlight with selectable CCT and PIR sensor

### Application

A stylish solution for residential exterior spaces, great for security

### Design Specifications

- Robust adjustable aluminium head profile
- Durable polycarbonate mounting base with quick connect termination
- Tempered glass lens, beam distribution 120° per head
- Selectable CCT 3000K / 4000K / 5700K
- Integral non-dimmable LED driver
- Integral PIR motion sensor, detection distance 10m at 2.0hm, detection angle 180°, manual over-ride function, time and light level adjustments, see installation instructions



### Technical Specifications

Model No.	Input (V)/(Hz)	Power (W)	Lumen (lm)	CCT (K)	CRI	Beam Angle	Fitting Colour
SES7070/1TC/BK	240/50	12	900/1100/1000	3000/4000/5700	> 80	120°	Black
SES7070/2TC/BK	240/50	2 x 12	2 x 900/1100/1000	3000/4000/5700	> 80	120°	Black
SES7070/1TC/WH	240/50	12	1000/1200/1150	3000/4000/5700	> 80	120°	White
SES7070/2TC/WH	240/50	2 x 12	2 x 1000/1200/1150	3000/4000/5700	> 80	120°	White

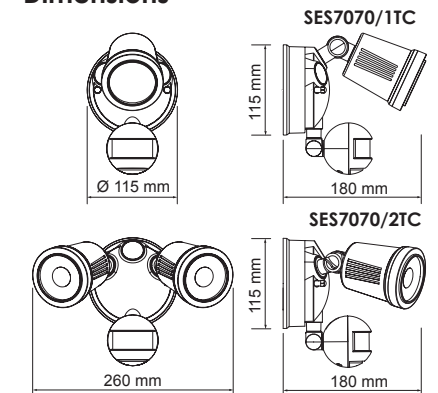


SES7070/1TC/WH



SES7070/2TC/BK

### Dimensions







TC SELECTABLE COLOUR

### STARLIGHT SPK1000 - 12W

12 watt IP54 LED floodlight, with selectable CCT lamps

### STARLIGHT SPK2000 - 2 X 12W

2 x 12 watt IP54 LED floodlight, with selectable CCT lamps

#### Application

An economical security solution for residential exterior spaces

#### Design Specifications

- Independently adjustable heads
- UV stabilized plastic body
- E27 lamp base
- Selectable CCT PAR38 LED lamp/s included, beam distribution 100° per lamp

#### Performance

- Non-dimmable

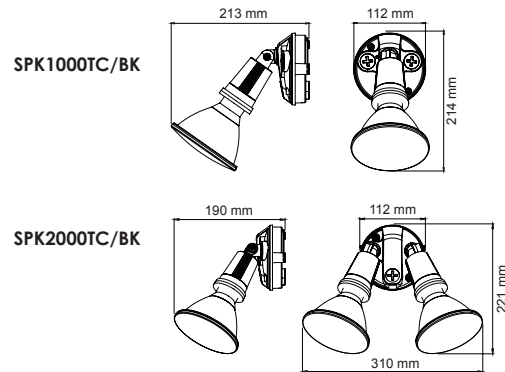


#### Technical Specifications

Model No.	Input (V)/(Hz)	Power (W)	Lumen (lm)	CCT (K)	CRI	Beam Angle	Fitting Colour
SPK1000TC/BK	240/50	12	1500/1700/1500	3000/4000/6000	> 80	100°	Black
SPK2000TC/BK	240/50	2 x 12	2 x 1500/1700/1500	3000/4000/6000	> 80	100°	Black



#### Dimensions



TC SELECTABLE COLOUR

### STARLIGHT WITH SENSOR SPSK1000 - 12W

12 watt IP54 LED floodlight, with selectable CCT lamps and PIR sensor

### STARLIGHT WITH SENSOR SPSK2000 - 2 X 12W

2 x 12 watt IP54 LED floodlight with selectable CCT lamps and PIR sensor

#### Application

An economical security solution for residential exterior spaces, requiring sensor control

#### Design Specifications

- Independently adjustable heads
- UV stabilized plastic body, E27 lamp base
- Selectable CCT PAR38 LED lamp/s included, beam distribution 100° per lamp
- Integral infrared motion sensor with override function, installation height 1.5 - 3.5m

#### Performance

- Non-dimmable
- Sensor Type - PIR

#### Technical Specifications

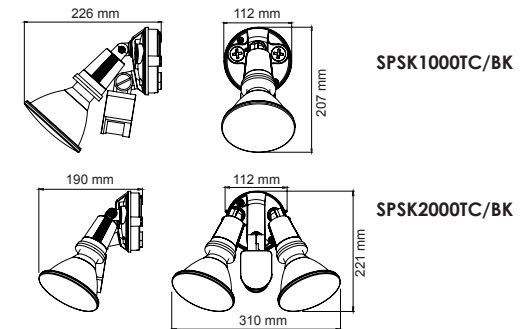
Model No.	Input (V)/(Hz)	Power (W)	Lumen (lm)	CCT (K)	CRI	Beam Angle	Fitting Colour
SPSK1000TC/BK	240/50	12	1500/1700/1500	3000/4000/6000	> 80	100°	Black
SPSK2000TC/BK	240/50	2 x 12	2 x 1500/1700/1500	3000/4000/6000	> 80	100°	Black

#### Sensor Specifications

Power Source	Power	Detection Range	Detection Angle	Detection Motion Speed	Working Temperature	Time Setting	Lux Threshold
240V 50Hz	0.45W (Idle 0.1W)	12m@2.5m height	180°	0.6~1.5 m/s	-10~40°C	10s~4min	10~2000 Lux



#### Dimensions



For terms of catalogue data use, refer to INDEX



sal.net.au





TC SELECTABLE COLOUR



TC SELECTABLE COLOUR

## STARPAD II SE7071TC2 - 15W/100W

15/100 watt IP65 LED floodlight with selectable CCT

### Application

A versatile floodlight solution for residential and commercial exterior spaces

### Design Specifications

- Robust die-cast aluminium body, IK07 rated
- Durable black, silver or white powder coat finish
- Textured tempered glass front cover
- High efficiency LED optics, CRI >80, selectable CCT 3000K/4000K/5000K
- Non-dimmable LED driver
- High performance aluminium reflector, beam distribution 110°
- Nickel plated copper cable gland with 600 mm 3 core rubber flex (15-30 watt models), 800mm for (50-100 watt models)

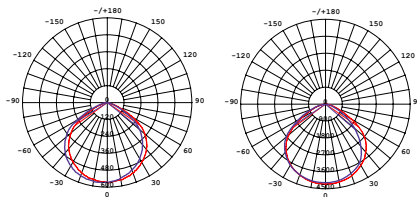
### Performance

- Non-dimmable



### Photometric Data

Unit: cd C0/C180 — C90/C270 —  
SE7071/15TC2WH at 3000K SE7071/100TC2WH at 5000K



### Technical Specifications

Model No.	Input (V)/(Hz)	Power (W)	Lumen (lm)	CCT (K)	Fitting Colour	Dimensions (L x W x H mm)	Mass (Kg)
SE7071/15TC2WH	240/50	15	1575/1800/1650	3000/4000/5000	White	154 x 36 x 100	0.5
SE7071/15TC2SL	240/50	15	1575/1800/1650	3000/4000/5000	Silver	154 x 36 x 100	0.5
SE7071/15TC2BK	240/50	15	1575/1800/1650	3000/4000/5000	Black	154 x 36 x 100	0.5
SE7071/30TC2WH	240/50	30	3150/3600/3300	3000/4000/5000	White	207 x 36 x 135	0.8
SE7071/30TC2SL	240/50	30	3150/3600/3300	3000/4000/5000	Silver	207 x 36 x 135	0.8
SE7071/30TC2BK	240/50	30	3150/3600/3300	3000/4000/5000	Black	207 x 36 x 135	0.8
SE7071/50TC2WH	240/50	50	5250/6000/5500	3000/4000/5000	White	261 x 39 x 171	1.3
SE7071/50TC2SL	240/50	50	5250/6000/5500	3000/4000/5000	Silver	261 x 39 x 171	1.3
SE7071/50TC2BK	240/50	50	5250/6000/5500	3000/4000/5000	Black	261 x 39 x 171	1.3
SE7071/100TC2WH	240/50	100	10500/12000/11000	3000/4000/5000	White	343 x 42 x 201	2.5
SE7071/100TC2SL	240/50	100	10500/12000/11000	3000/4000/5000	Silver	343 x 42 x 201	2.5
SE7071/100TC2BK	240/50	100	10500/12000/11000	3000/4000/5000	Black	343 x 42 x 201	2.5

For terms of catalogue data use, refer to INDEX





TC SELECTABLE COLOUR  
MULTI POWER



TC SELECTABLE COLOUR

## TRADESTAR SE7169MP TC - 70W/300W

A versatile LED floodlight range with six models ranging from 70 - 300 watt with selectable CCT and power.

### Application

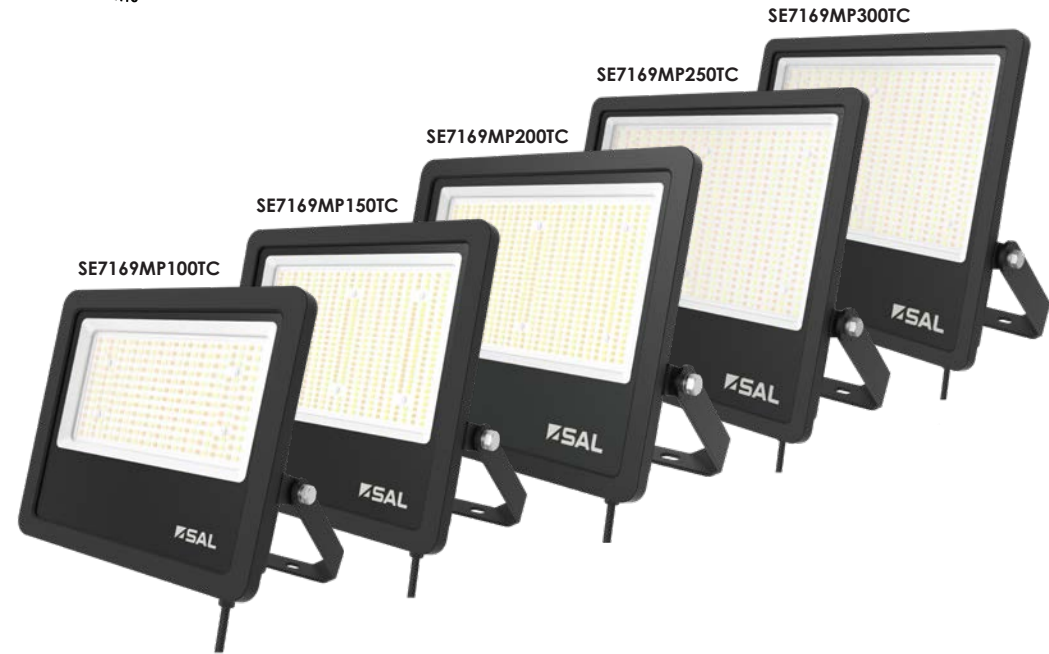
Perfect for any exterior space from residential small wattage designs through to high performance commercial applications

### Design Specifications

- Integral LED control gear, non-dimmable 70, 100, 150, 200, 250, 300 watt models, with selectable power
- Robust black die-cast aluminium body profile with multi-function angled trunnion bracket, IK08, IP66 protection
- Pre-wired with 1500mm UV rated flex for easy installation
- CRI >80, selectable CCT 3000/4000/5000K
- An impressive 140lm/W optical performance at 4000K

### Performance

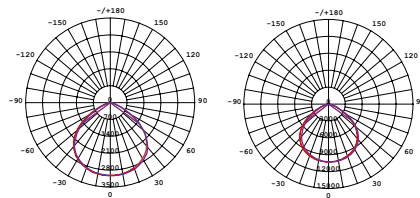
- Non-dimmable



### Photometric Data

Unit: cd C0/C180 — C90/C270

SE7169MP70TC at 5000K SE7169MP300TC at 5000K



### Technical Specifications

Model No.	Input (V)/(Hz)	Power (W)	Lumen (lm)	CCT (K)	Dimensions (L x W x H mm)	Mass (Kg)
SE7169MP70TC	240/50	70	8400/9800/9100	3000/4000/5000	280 x 55 x 246	2.6
		53	6300/7400/6800			
		35	4200/4900/4600			
SE7169MP100TC	240/50	100	12000/14000/13000	3000/4000/5000	280 x 55 x 246	2.6
		75	9000/10500/9800			
		50	6000/7000/6500			
SE7169MP150TC	240/50	150	18000/21000/19500	3000/4000/5000	310 x 55 x 301	3.8
		113	13500/15800/14600			
		75	9000/10500/9800			
SE7169MP200TC	240/50	200	24000/28000/26000	3000/4000/5000	334 x 58 x 304	4.3
		150	18000/21000/19500			
		100	12000/14000/13000			
SE7169MP250TC	240/50	250	30000/35000/32500	3000/4000/5000	435 x 63 x 395	7.3
		188	22500/26200/24400			
		125	15000/17500/16300			
SE7169MP300TC	240/50	300	36000/42000/39000	3000/4000/5000	435 x 63 x 395	7.9
		225	27000/31500/29300			
		150	18000/21000/19500			

For terms of catalogue data use, refer to INDEX







## TRADESTAR SE7169 - 380W

A robust 380 watt LED floodlight

### Application

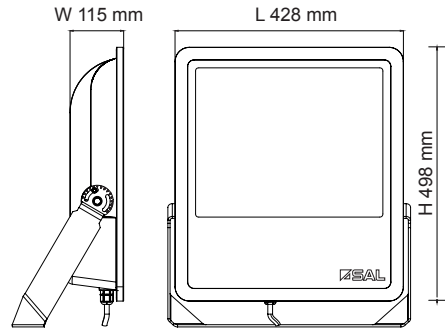
Perfect for any medium to large exterior commercial space

### Design Specifications

- Integral LED control gear, non-dimmable 380 watt models
- Robust die-cast aluminium body profile with multi-function angled trunnion bracket, colour black
- Pre-wired with 1500mm UV rated flex for easy installation
- IK08, IP65 rated
- CRI >70, CCT 5000K
- Choice of Asymmetric (>130lm/W) or Symmetric (>160lm/W) optical distributions
- 120° wide beam distribution



### Dimensions



### Performance

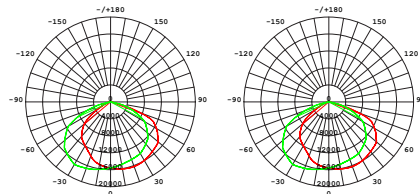
- Non-dimmable



### Photometric Data

Unit: cd C0/C180 — C90/C270

SE7169/380NDL/BK at 5000K      SE7169/380NDL/BK/T3 at 5000K



Robust aluminium body

Fitted angled trunnion bracket

High performance breather

Pre-wired with UV rated flex for easy installation

Secure IP65 cable gland


### Technical Specifications


Model No.	Input (V)/(Hz)	Power (W)	Lumen (lm)	CCT (K)	CRI	Fitting Colour	Dimensions (L x W x H mm)	Mass (Kg)
SE7169/380NDL/BK	240/50	380	61180	5000	> 70	Black	428 x 115 x 498	12.1
SE7169/380NDL/BK/T3	240/50	380	49400	5000	> 70	Black	428 x 115 x 498	12.3

For terms of catalogue data use, refer to INDEX





 SAL National Pty Ltd - 40 Biloela St, Villawood NSW 2163

 + 61 2 9723 3099

 [www.sal.net.au](http://www.sal.net.au)

 [info@sal.net.au](mailto:info@sal.net.au)

 VICT/TAS - 46/48 Keys Road Moorabbin VIC 3189

 + 61 3 9532 3168

 [info@sal.net.au](mailto:info@sal.net.au)

 QLD - 36 Whitelaw Place Richlands QLD 4077

 + 61 7 3879 5999

 [info@sal.net.au](mailto:info@sal.net.au)

 SA/NT - Unit 1, 9 Alfred Avenue Beverley SA 5009

 +61 8 7084 1958

 [info@sal.net.au](mailto:info@sal.net.au)

 WA - 29 Beringarra Avenue Malaga WA 6090

 +61 8 9248 7458

 [info@sal.net.au](mailto:info@sal.net.au)



**2024/25**

