



**SINCE 1998**



**2024/25**

**SMARTER  
LIGHTING  
CHOICES**



A select range of high performance, decorative area luminaires designed for security, perimeter and car park spaces.

P498 PORT MKII SHP210 - 320



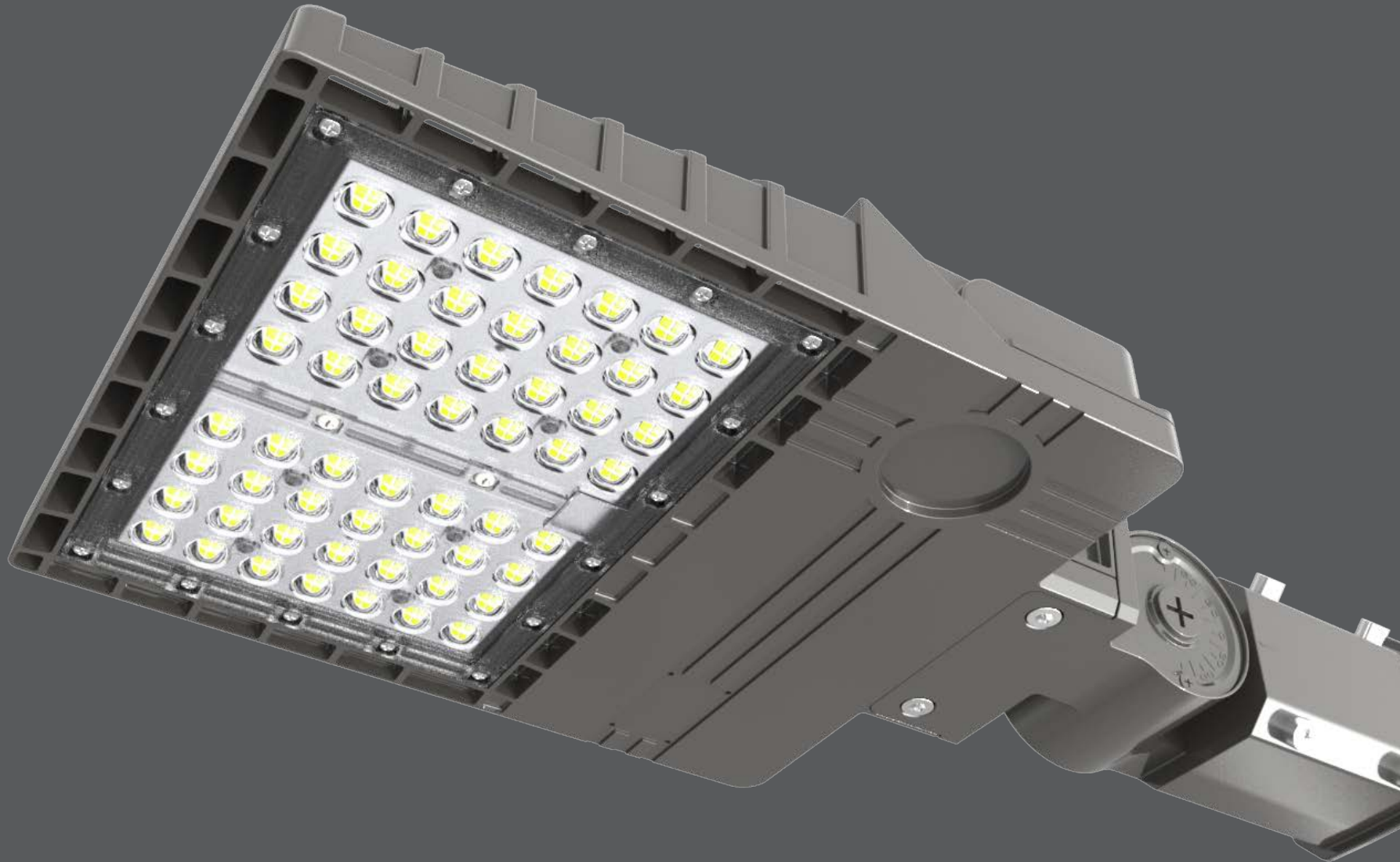
P500 PORT MKIII SHP210 - 50



P504 DRIVE SHP305



P505 DRIVE SHP306



## PORT MKII SHP210 NDL2 - 100W/320W

IP66 LED area luminaire,  
IK10 rated

### Application

A decorative and versatile  
exterior commercial solution

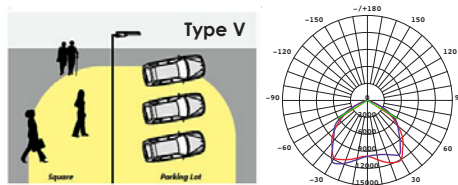
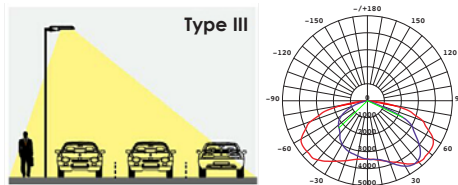


### Design Specifications

- Durable die-cast aluminium body, powder coated finish in charcoal black,
- Adjustable spigot (60mm OD) mounting, 0 - 90°
- High efficiency LED optics, CRI >70, CCT 5000K, optional 3000K/4000K
- Integral constant current non-dimmable LED driver, pre-wired with 1500mm of 3 core rubber flex for easy termination
- Optical distribution - Standard Symmetric (Type V), Optional to order Asymmetric (Type III, IV) and Symmetrical (90°)
- PEB shorting cap provided as standard. Optional ELV PE cell configurations available, PE cell SHP210G2PE

### Photometric Data

Unit: cd C0/C180 — C90/C270



### Performance

- Non-dimmable



### Accessories



SHP210G2PE PE CELL



SHP210UB300/P UNIVERSAL BRACKET

### Technical Specifications

Model No.	Input (V)/(Hz)	Power (W)	Lumen (lm)	CCT (K)	CRI	Body Colour	Dimensions (L x W x H mm)	Mass (Kg)
SHP210/120NDL2	240/50	100	15000	5000	> 70	Charcoal Black	587 X 270 X 160	6
SHP210/180NDL2	240/50	150	22500	5000	> 70	Charcoal Black	587 X 270 X 160	6.3
SHP210/240NDL2	240/50	200	30000	5000	> 70	Charcoal Black	654 X 320 X 160	7
SHP210/300NDL2	240/50	320	48000	5000	> 70	Charcoal Black	754 X 320 X 160	8.5

For terms of catalogue data use, refer to INDEX

## PORT MKIII SHP210 NDL2 - 50W

IP66 LED area luminaire,  
IK10 rated

### Application

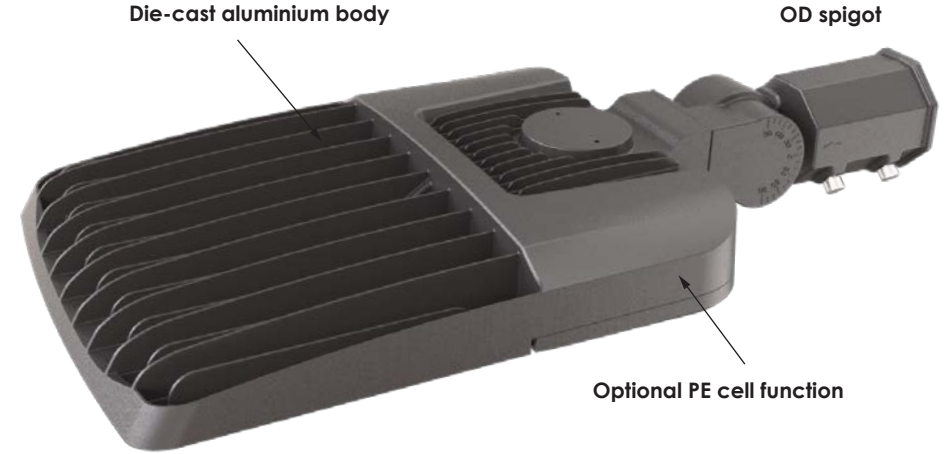
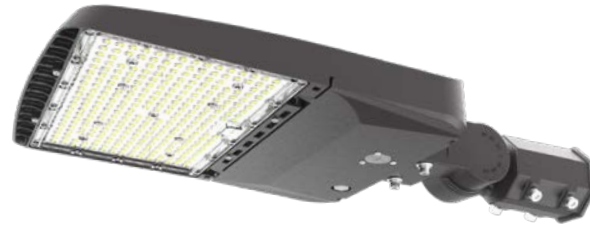
A decorative and versatile  
exterior commercial solution

### Design Specifications

- Stylish die-cast aluminium body
- Durable powder coated finish in charcoal black
- Adjustable spigot (60mm OD) mounting, 0 - 90°
- High efficiency LED optics, CRI >70,
- CCT 5000K, optional 3000K/4000K
- Integral constant current non-dimmable LED driver, pre-wired with 1500mm of 3 core rubber flex for easy termination
- Light distribution - Standard Symmetric (Type V), Optional to order Asymmetric (Type III, IV) and Symmetrical (90°)
- PEB shorting cap provided as standard. Optional ELV PE cell configurations available, PE cell SHP210G3PE

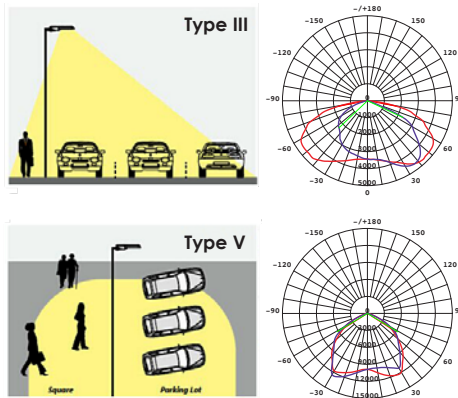
### Performance

- Non-dimmable



### Photometric Data

Unit: cd C0/C180 — C90/C270



SHP210G3PE PE CELL



SHP210UB50/P UNIVERSAL BRACKET

### Technical Specifications

Model No.	Input (V)/(Hz)	Power (W)	Lumen (lm)	CCT (K)	CRI	Body Colour	Dimensions (L x W x H mm)	Mass (Kg)
SHP210/50NDL2	240/50	50	8000	5000	> 70	Charcoal Black	568 x 299 x 82	4.4

For terms of catalogue data use, refer to INDEX

# PRIMEWEST RUTHERFORD

343





## DRIVE SHP305 - 70W/180W

70/180 watt, IP66 LED street luminaire, IK08 rated

### Application

A decorative, streamline exterior commercial solution

### Design Specifications

- Stylish die-cast aluminium body, durable powder coated finish
- Integral constant current non-dimmable LED driver as standard, CCT 5000K, optional 4000K
- Asymmetrical light distribution (TYPE II) fitted, 0% upward light ratio, clear tempered glass diffuser
- Standard 3G.ANSI C.136.31-2010 Ø 60 pole mounting bracket, 800 mm 3 core rubber flex
- Optional constant current dimmable LED driver with 3 IN 1 dimming LED driver (1-10V DC, PWM signal & resistance)
- Lens option (refer to Photometric data below) SHP305A75/P (standard), SHP305A45/P (option)
- Optional PE cell configurations available

### Performance

- Dimmable - Optional, 1-10V DC

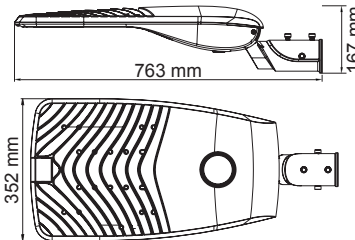


### Technical Specifications

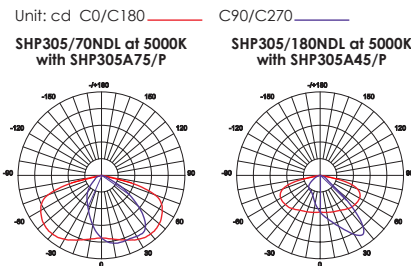
Model No.	Input (V)/(Hz)	Power (W)	Lumens (lm)	CCT (K)	CRI	Fitting Colour	Net Weight (Kg)
SHP305/70NDL/BK	240/50	70	9100	5000	> 70	Black	8.8
SHP305/90NDL/BK	240/50	90	11700	5000	> 70	Black	9.0
SHP305/120NDL/BK	240/50	120	15600	5000	> 70	Black	9.2
SHP305/150NDL/BK	240/50	150	19500	5000	> 70	Black	9.5
SHP305/180NDL/BK	240/50	180	23400	5000	> 70	Black	9.6



### Dimensions



### Photometric Data



## DRIVE SHP306 - 30W/90W

30/90 watt, IP66 LED street luminaire, IK08 rated

### Application

A decorative, streamline exterior commercial solution

### Design Specifications

- Stylish die-cast aluminium body, durable powder coated finish
- Integral constant current non-dimmable LED driver as standard, CCT 5000K, optional 4000K
- Asymmetrical light distribution (TYPE II) fitted, 0% upward light ratio, clear tempered glass diffuser
- Standard 3G.ANSI C.136.31-2010 Ø 60 pole mounting bracket, 800 mm 3 core rubber flex
- Optional constant current dimmable LED driver with 3 IN 1 dimming LED driver (1-10V DC, PWM signal & resistance)
- Lens option - SHP306A45/P (standard), SHP306A75/P (option), optional PE cell configurations available

### Performance

- Dimmable - Optional, 1-10V DC

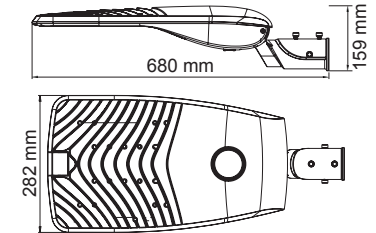


### Technical Specifications

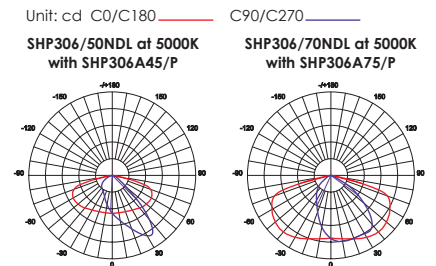
Model No.	Input (V)/(Hz)	Power (W)	Lumens (lm)	CCT (K)	CRI	Fitting Colour	Net Weight (Kg)
SHP306/30NDL/BK	240/50	30	3900	5000	> 70	Black	6.5
SHP306/50NDL/BK	240/50	50	6500	5000	> 70	Black	6.5
SHP306/70NDL/BK	240/50	70	9100	5000	> 70	Black	6.8
SHP306/90NDL/BK	240/50	90	11700	5000	> 70	Black	6.8




### Dimensions




### Photometric Data





 SAL National Pty Ltd - 40 Biloela St, Villawood NSW 2163

 + 61 2 9723 3099

 [www.sal.net.au](http://www.sal.net.au)

 [info@sal.net.au](mailto:info@sal.net.au)

 VICT/TAS - 46/48 Keys Road Moorabbin VIC 3189

 + 61 3 9532 3168

 [info@sal.net.au](mailto:info@sal.net.au)

 QLD - 36 Whitelaw Place Richlands QLD 4077

 + 61 7 3879 5999

 [info@sal.net.au](mailto:info@sal.net.au)

 SA/NT - Unit 1, 9 Alfred Avenue Beverley SA 5009

 +61 8 7084 1958

 [info@sal.net.au](mailto:info@sal.net.au)

 WA - 29 Beringarra Avenue Malaga WA 6090

 +61 8 9248 7458

 [info@sal.net.au](mailto:info@sal.net.au)



**2024/25**

